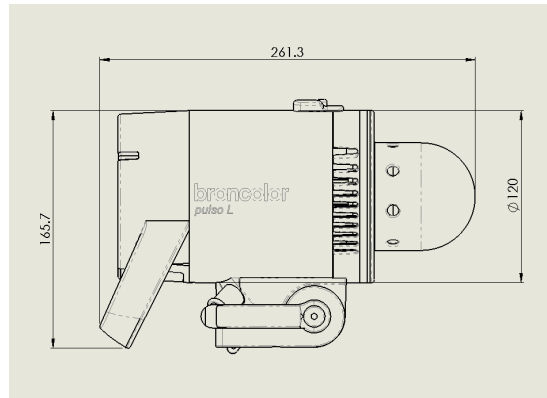


## Pulso L Technical Data Sheet



All above dimensions in millimeters

| <b>Pulso L</b>   |  |
|--|--|
| <b>in flash mode</b>   |  |
| Flash energy   | max. 3200 Joules   |
| Modelling light  | LED 90 Watt typical<br>2800 or 5500 K  |
| <b>in continuous light mode</b>                                  |  |
| Colour temperature   | 2800 to 6800 K in 50 K intervals   |
| Colour rendering index (CRI)                                     | typically 97+  |
| TLCI   | 97 (±1)  |
| Dimmability  | 6 to 100%  |
| Green / Magenta correction (colour cast)                         | control range -25G to +25G<br>(limit below 4000 K and above 5000 K)  |
| <b>Other data</b>  |  |
| Focusing   | manual, infinitely   |
| Length of lamp cable   | 5m (16ft)  |
| Length<br>(Handle to tip of protective glass, rearmost position) | 262 mm (10.3 in)   |
| Length<br>(Handle to top of transport protective cap)            | 285 mm (11.2 in)   |
| Height<br>(Handle to top of housing)                             | 166 mm (6.5 in)  |
| Housing diameter   | 120 mm (4.7 in)  |
| Weight (incl. lamp cable, without protective cap)                | 3.5 kg (7.7lbs)  |
| Stand mount  | for bolts 12 mm (0.47 in), 3/8" thread and bolts 16 mm (0.63 in)   |
| Update option  | with lamp cable, connection to Satos power pack  |
| Display  | OLED 1.69 inch   |
| Use  | - On tripod<br>- Floor installation<br>- Ceiling suspension (separately available safety cable 33.173.00 absolutely necessary) |
| Temperature range of use   | -10 °C to 40 °C  |
| Temperature storage  | -10 °C to 50 °C  |
| Cooling system   | active (temperature controlled fan)  |
| Cognition light  | 2x top left/right<br>5 colours (blue, green, purple, yellow, turquoise)  |
| Compatibility  | compatible with broncolor bayonet  |
| Menu language  | English, German, French, Korean, Japanese, Italian, Spanish, Chinese simpl., Polish  |
| Warranty period  | factory warranty of 2 years from date of purchase (for the first owner)  |
| Approvals  | CE, FCC, UKCA, RoHS  |
| Item number  | 32.130.00 (1600 J)<br>32.131.00 (3200 J)   |

\*\*\* Typing mistakes, errors and technical changes reserved \*\*\*